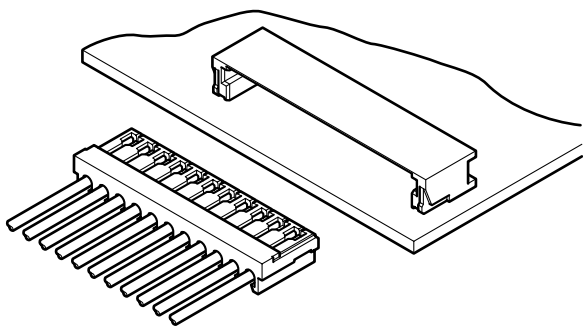
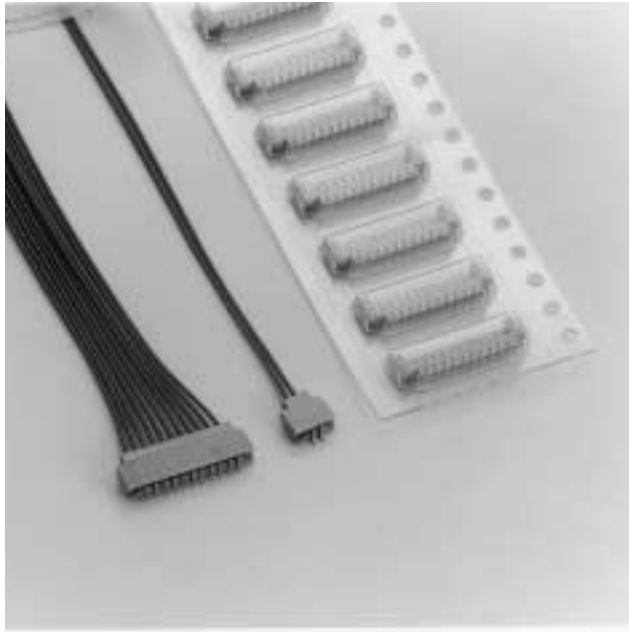


SSR CONNECTOR

Disconnectable Insulation displacement connectors



Features

• Ultra-compact

1.0mm (.039") pitch and only 2.0mm (.079") high and 4.5mm (.177") thick.

• Twin U-slot insulation displacement section

The insulation displacement section connected to each wire consists of two tin-plated slots (twin U-slots), which ensures reliable connection.

• 3-Point grip construction

The 3-point insulation grip feature and the strain relief ensure a firm grip on terminated wires and protection of the insulation displacement connection from possible damage.

• Header designed for vacuum pick and place robotics

Although this shrouded header has locking features for its mating receptacle, there are no holes in the header shroud that would adversely effect vacuum gripping equipment. Since there is enough flat surface for secure vacuum gripping, this miniature surface mount connector is versatile for designers and economic for manufacturing.

Specifications

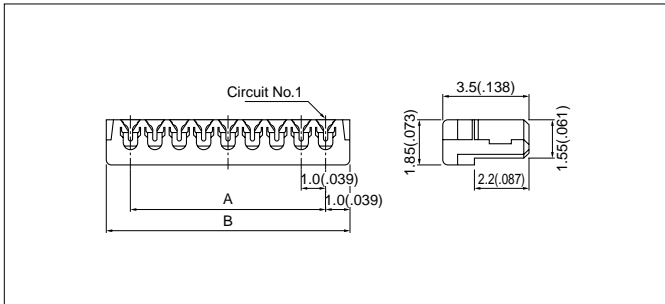
- Current rating: 0.5A AC, DC
- Voltage rating: 50V AC, DC
- Temperature range: -25°C to +85°C
(including temperature rise in applying electrical current)
- Contact resistance: Initial value/20m Ω max.
After environmental testing/40m Ω max.
- Insulation resistance: 100M Ω min.
- Withstanding voltage: 500V AC/minute
- Applicable wire: AWG #32
Conductor/7 stands,
tin-coated annealed copper
Insulation O.D./0.54mm (.021")

* Contact JST for details.

Standards

- Recognized E60389
- 1 Certified LR20812

Receptacle

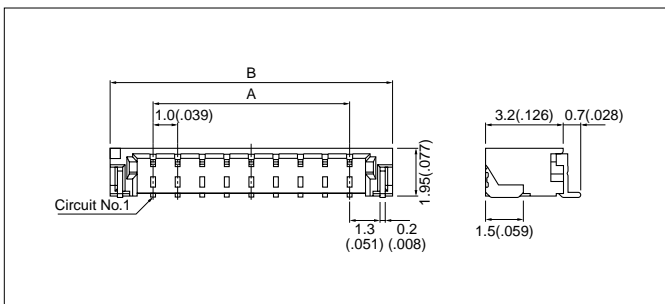


Circuits	Model No.	Dimensions mm(in.)		Q'ty / box
		A	B	
2	02SSR-32H	1.0(.039)	3.0(.118)	2,000
3	03SSR-32H	2.0(.079)	4.0(.157)	2,000
4	04SSR-32H	3.0(.118)	5.0(.197)	2,000
5	05SSR-32H	4.0(.157)	6.0(.236)	2,000
6	06SSR-32H	5.0(.197)	7.0(.276)	2,000
8	08SSR-32H	7.0(.276)	9.0(.354)	2,000
9	09SSR-32H	8.0(.315)	10.0(.394)	2,000
10	10SSR-32H	9.0(.354)	11.0(.433)	2,000
11	11SSR-32H	10.0(.394)	12.0(.472)	2,000
12	12SSR-32H	11.0(.433)	13.0(.512)	2,000
13	13SSR-32H	12.0(.472)	14.0(.551)	2,000
14	14SSR-32H	13.0(.512)	15.0(.591)	2,000

Material and Finish

Contact: Phosphor bronze, tin-plated
Housing: Nylon 66, UL94V-0, gray

Shrouded header



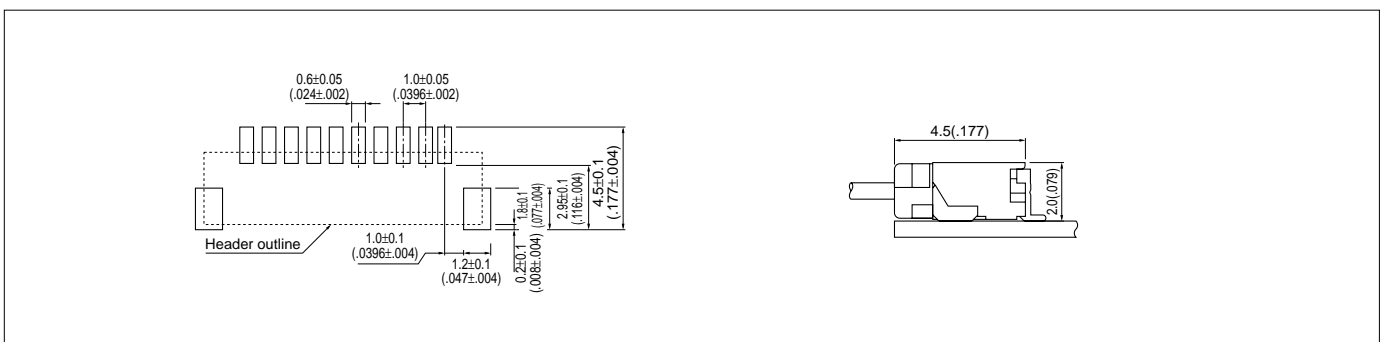
Circuits	Model No.	Dimensions mm(in.)		Q'ty / reel
		A	B	
2	SM02B-SSR-H-TB	1.0(.039)	4.6(.181)	4,500
3	SM03B-SSR-H-TB	2.0(.079)	5.6(.220)	4,500
4	SM04B-SSR-H-TB	3.0(.118)	6.6(.260)	4,500
5	SM05B-SSR-H-TB	4.0(.157)	7.6(.299)	4,500
6	SM06B-SSR-H-TB	5.0(.197)	8.6(.339)	4,500
8	SM08B-SSR-H-TB	7.0(.276)	10.6(.417)	4,500
9	SM09B-SSR-H-TB	8.0(.315)	11.6(.457)	4,500
10	SM10B-SSR-H-TB	9.0(.354)	12.6(.496)	4,500
11	SM11B-SSR-H-TB	10.0(.394)	13.6(.535)	4,500
12	SM12B-SSR-H-TB	11.0(.433)	14.6(.575)	4,500
13	SM13B-SSR-H-TB	12.0(.472)	15.6(.614)	4,500
14	SM14B-SSR-H-TB	13.0(.512)	16.6(.654)	4,500

Material and Finish

Contact: Brass copper-alloy, copper-undercoated, tin/lead-plated
Wafer: Polyamide, UL-94V-0, gray
Solder tab: Brass copper-undercoated, tin/lead-plated

Note : The products listed above are supplied on embossed-tape.

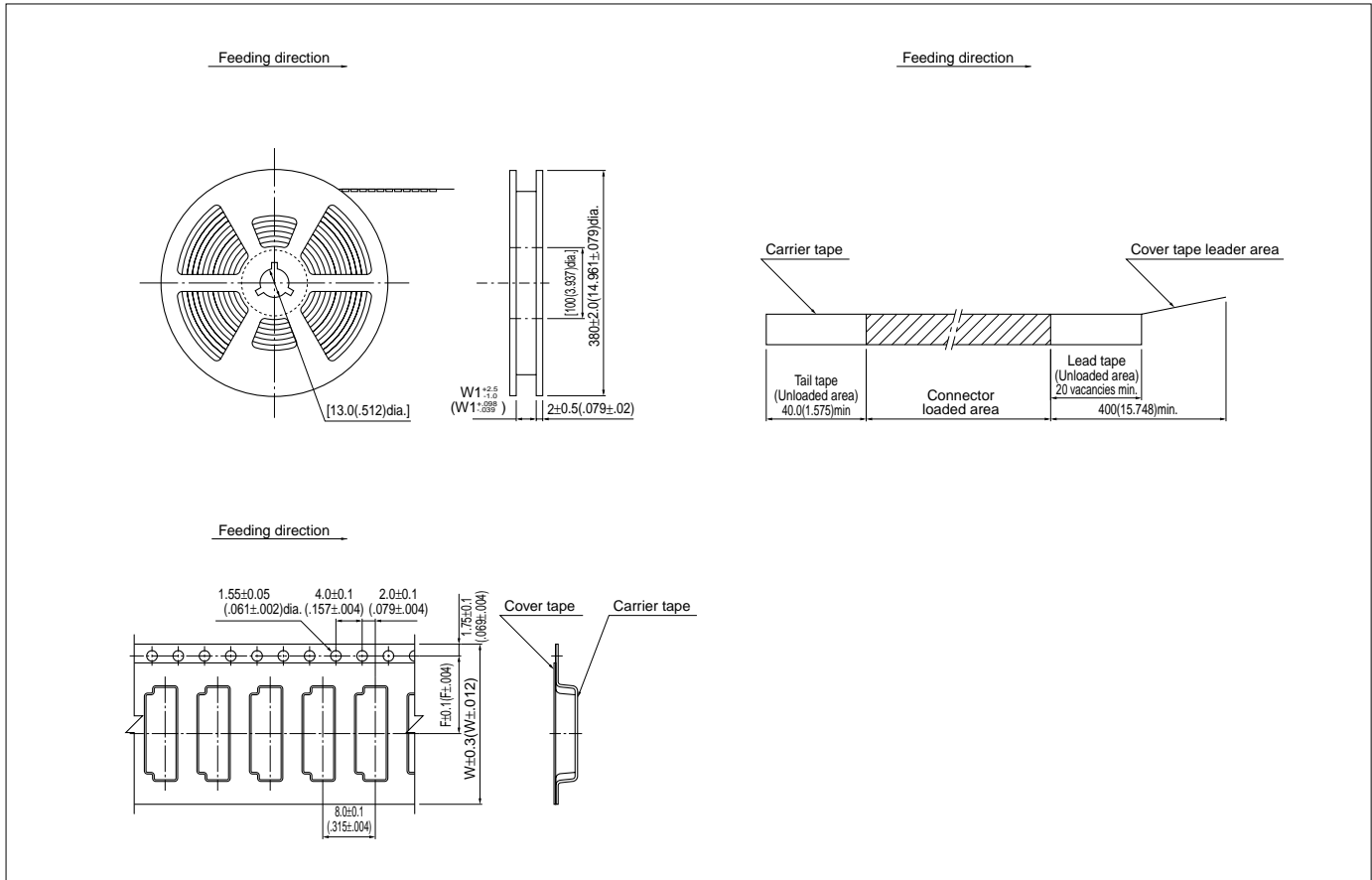
PC board layout (viewed from component side) and Assembly layout



Note : Tolerances are non-cumulative: $\pm 0.05\text{mm}$ ($\pm .002''$) for all centers.

SSR CONNECTOR

Taping specifications



Circuits	Dimensions mm(in.)		Reel dimensions mm(in.)	Q'ty / reel
	F	W	W1	
2	5.5(.217)	12(.472)	13.5(.531)	4,500
3 to 6	7.5(.295)	16(.630)	17.5(.689)	4,500
8 to 14	11.5(.453)	24(.945)	25.5(1.004)	4,500

- Note:
- Specifications conform to JIS C 0806. The tape width, connector recess hole dimensions, etc. are determined by the number of circuits and external shape of the connector to be loaded.
 - Specifications are subject to change without prior notice.